

Patents and Copyrights

**Bharati Vidyapeeth Deemed to be University
Dental College and Hospital, Navi Mumbai**

Design Application Details



Design Number:

370892-001

Filing Date:

15/09/2022 21:45:50

Article Name:

DENTAL FORCEPS

Class:

24-02-MEDICAL INSTRUMENTS, INSTRUMENTS AND
TOOLS FOR LABORATORY USE

Journal Number:

45/2023

Journal Date:

10/11/2023 00:00:00

Applicant Detail

Sl. No.	APPLICANT NAME	APPLICANT ADDRESS
1	Bharati Vidyapeeth (Deemed to be University) Dental College & Hospital	Bharati Vidyapeeth (Deemed to be University) Dental College & Hospital, Sector 7, CBD Belapur, Navi Mumbai 400614
2	Dr. Harjit Singh Kalsi	Bharati Vidyapeeth (Deemed to be University) Dental College & Hospital, Sector 7, CBD Belapur, Navi Mumbai 400614
3	Dr. Viraj Kharkar	Bharati Vidyapeeth (Deemed to be University) Dental College & Hospital, Sector 7, CBD Belapur, Navi Mumbai 400614
4	Mr. Murtaza Shapurwala	Bharati Vidyapeeth (Deemed to be University) Dental College & Hospital, Sector 7, CBD Belapur, Navi Mumbai 400614
5	Dr. Deepak Kolte	Bharati Vidyapeeth (Deemed to be University) Dental College & Hospital, Sector 7, CBD Belapur, Navi Mumbai 400614
6	Dr. Tejal Patil	Bharati Vidyapeeth (Deemed to be University) Dental College & Hospital, Sector 7, CBD Belapur, Navi Mumbai 400614

**Bharati Vidyapeeth Deemed to be University
Dental College and Hospital, Navi Mumbai**

Design Application Details



Design Number:

370891-001

Filing Date:

15/09/2022 21:45:50

Article Name:

SYNRINGE

Class:

24-02-MEDICAL INSTRUMENTS, INSTRUMENTS
AND TOOLS FOR LABORATORY USE

Journal Number:

04/2024

Journal Date:

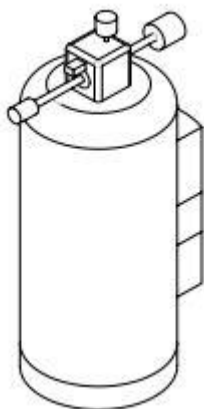
26/01/2024 00:00:00

Applicant Detail

Sl. No.	APPLICANT NAME	APPLICANT ADDRESS
1	Bharati Vidyapeeth (Deemed to be University) Dental College & Hospital	Bharati Vidyapeeth (Deemed to be University) Dental College & Hospital, Sector 7, CBD Belapur, Navi
2	Dr. Harjit Singh Kalsi	Bharati Vidyapeeth (Deemed to be University) Dental College & Hospital, Sector 7, CBD Belapur, Navi Mumbai 400614
3	Dr. Viraj Kharkar	Bharati Vidyapeeth (Deemed to be University) Dental College & Hospital, Sector 7, CBD Belapur, Navi Mumbai 400614
4	Mr. Murtaza Shapurwala	Bharati Vidyapeeth (Deemed to be University) Dental College & Hospital, Sector 7, CBD Belapur, Navi Mumbai 400614
5	Dr. Deepak Kolte	Bharati Vidyapeeth (Deemed to be University) Dental College & Hospital, Sector 7, CBD Belapur, Navi Mumbai 400614
6	Dr. Tejal Patil	Bharati Vidyapeeth (Deemed to be University) Dental College & Hospital, Sector 7, CBD Belapur, Navi Mumbai 400614

**Bharati Vidyapeeth Deemed to be University
Dental College and Hospital, Navi Mumbai**

Design Application Details



Design Number:

379670-001

Filing Date:

20/02/2023 15:09:40

Article Name:

Blow Torch

Class:

08-05-OTHER TOOLS AND IMPLEMENTS

Journal Number:

19/2023

Journal Date:

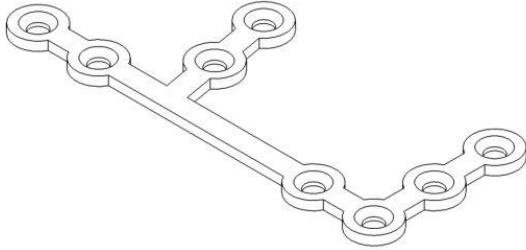
12/05/2023 00:00:00

Applicant Detail

Sl. No.	APPLICANT NAME	APPLICANT ADDRESS
1	BHARATI VIDYAPEETH (Deemed to be University) DENTAL COLLEGE AND HOSPITAL	sec-7, CBD Belapur, Navi Mumbai-400614, Maharashtra, India
2	DR. ANUBHAVA JAIMINEE	Bhagashree, L2, 1403, Cidco housing, Kharghar, sec-40, Navi Mumbai-410210, Maharashtra, India
3	DR. MAHESH GHADAGE	1/84, Ramdoot building, 3rd floor, Mahadev Palav Marg, Curry road, Parel, Mumbai-400012, Maharashtra, India
4	DR. SUMIT BEDIA	C-26/5, Bell Haven, CHSL, LIC Colony, Borivali West, Mumbai-400103, Maharashtra, India
5	DR. MRIDULA JOSHI	103 Ascot building, Raheja Gardens, LBS Road, Thane West-400604, Maharashtra, India
6	DR. JUI KANDEKAR	303, Wing 3, Balaji Prangan near YMT College, Sec-4, Kharghar, Navi Mumbai, Maharashtra, India
7	DR. RICHA GUPTA	B-101 Silver arch, Samata Nagar, Thane West-400606, Maharashtra, India

**Bharati Vidyapeeth Deemed to be University
Dental College and Hospital, Navi Mumbai**

Design Application Details



Design Number:

381157-002

Filing Date:

09/03/2023 22:29:05

Article Name:

PLATE FOR LEFT MANDIBULAR ANGLE FRACTURE

Class:

24-03-POSTHETIC ARTICLES

Journal Number:

21/2023

Journal Date:

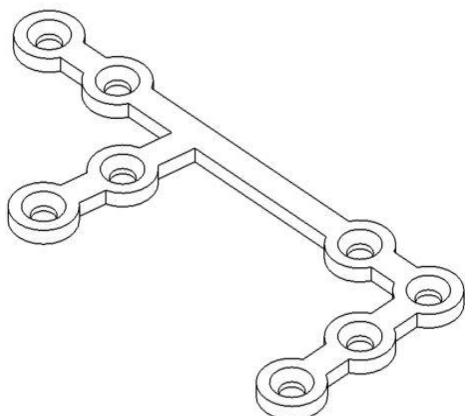
26/05/2023 00:00:00

Applicant Detail

Sl. No.	APPLICANT NAME	APPLICANT ADDRESS
1	Dr. Rajshekhar Halli	Professor, Dept of Oral and Maxillofacial Surgery, Bharati Vidyapeeth Dental College, Pune - 411043
2	Dr. Manjula Hebbale	Associate Professor, Dept of Oral Medicine and Radiology, Bharati Vidyapeeth Dental College, Pune - 411043
3	Dr. Viraj Kharkar	Associate Professor, Dept of Oral and Maxillofacial Surgery, Bharati Vidyapeeth Dental College, Mumbai
4	Dr. Saurabh Khandelwal	Assistant Professor, Dept of Oral and Maxillofacial Surgery, Bharati Vidyapeeth Dental College, Pune - 411043
5	Dr. Kaustubh Kulkarni	Assistant Professor, Dept of Oral and Maxillofacial Surgery, Bharati Vidyapeeth Dental College, Pune - 411043
6	Dr. Umer Valiulla	Resident Surgeon, Dept of Oral and Maxillofacial Surgery, Bharati Vidyapeeth Dental College, Pune - 411043
7	Dr. Akanksha Singh	Resident Surgeon, Dept of Oral and Maxillofacial Surgery, Bharati Vidyapeeth Dental College, Pune - 411043
8	Dr. Subharina Mahapatra	Senior Resident, Dept of Oral Medicine and Radiology, Bharati Vidyapeeth Dental College, Pune - 411043
9	Shrikant Bachagoudar	SK Surgicals, Pune

**Bharati Vidyapeeth Deemed to be University
Dental College and Hospital, Navi Mumbai**

Design Application Details



Design Number:

381157-001

Filing Date:

09/03/2023 22:29:05

Article Name:

PLATE FOR RIGHT MANDIBULAR ANGLE FRACTURE

Class:

24-03-POSTHETIC ARTICLES

Journal Number:

21/2023

Journal Date:

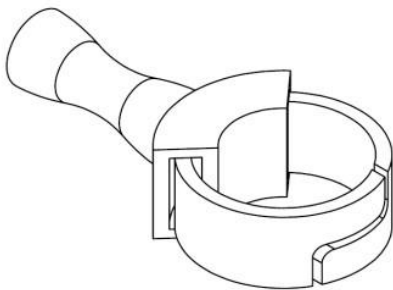
26/05/2023 00:00:00

Applicant Detail

Sl. No.	APPLICANT NAME	APPLICANT ADDRESS
1	Dr. Rajshekhar Halli	Professor, Dept of Oral and Maxillofacial Surgery, Bharati Vidyapeeth Dental College, Pune - 411043
2	Dr. Manjula Hebbale	Associate Professor, Dept of Oral Medicine and Radiology, Bharati Vidyapeeth Dental College, Pune - 411043
3	Dr. Viraj Kharkar	Associate Professor, Dept of Oral and Maxillofacial Surgery, Bharati Vidyapeeth Dental College, Mumbai
4	Dr. Saurabh Khandelwal	Assistant Professor, Dept of Oral and Maxillofacial Surgery, Bharati Vidyapeeth Dental College, Pune - 411043
5	Dr. Kaustubh Kulkarni	Assistant Professor, Dept of Oral and Maxillofacial Surgery, Bharati Vidyapeeth Dental College, Pune - 411043
6	Dr. Umer Valiulla	Resident Surgeon, Dept of Oral and Maxillofacial Surgery, Bharati Vidyapeeth Dental College, Pune - 411043
7	Dr. Akanksha Singh	Resident Surgeon, Dept of Oral and Maxillofacial Surgery, Bharati Vidyapeeth Dental College, Pune - 411043
8	Dr. Subharina Mahapatra	Senior Resident, Dept of Oral Medicine and Radiology, Bharati Vidyapeeth Dental College, Pune - 411043
9	Shrikant Bachagoudar	SK Surgicals, Pune

**Bharati Vidyapeeth Deemed to be University
Dental College and Hospital, Navi Mumbai**

Design Application Details



Design Number:

385589-001

Filing Date:

04/05/2023 19:35:20

Article Name:

ADJUSTABLE FINGER GRIP FOR ENDODONTIC HAND FILES

Class:

Applicant Detail

Sl. No.	APPLICANT NAME	APPLICANT ADDRESS
1	Bharati Vidyapeeth (Deemed to be University) Dental College & Hospital	Sector 7, CBD Belapur, Navi Mumbai 400614
2	Dr. Tanvi Saraf	16-A Kalanagar, Trimurti building, Bandra east, Mumbai-400051
3	Dr. Saudamini More	404, F Oxford, ShivSai Paradise, Near Fatima church, Majiwada, Thane west, Mumbai-400607
4	Dr. Farheen Tafti	6/A, 1st Floor, Ebrahim Mansion. Jamshedji Petit Street. Grant Road (East). Mumbai – 400007
5	Dr. Prasad Mhaske	301, Payal CHS, plot no 6 sector 14 Koparkhairane, Navi Mumbai 400709
6	Dr. Vivek Sharma	Balaji Symphony, J wing 601, Sukapur, Panvel Matheran Rd, New Panvel, Navi Mumbai-410206
7	Dr. Sumeet Agarwal	Ashirwad hospital, 2nd floor, Flat no. 1, Mittal Bhavan, AG ward, Lonavala-410401
8	Dr. Suyog Savant	B 1102 om residency st xavier street Jerbai Wadia road, Bhoiwada, Parel , Mumbai 400012
9	Dr. Rohit Thorat	Sr no 33/5/a/3 row house D 1 Chandrabhga enclave Kataj Pune 411046
10	Dr. Uttam Shetty	Flat no - 103, Pioneer heights,3rd Road, near Govindham, Mumbai 400052

**Bharati Vidyapeeth Deemed to be University
Dental College and Hospital, Navi Mumbai**

Design Application Details



Design Number:

387320-001

Filing Date:

30/05/2023 21:05:13

Article Name:

DENTAL WAX CARVER

Class:

24-02-MEDICAL INSTRUMENTS, INSTRUMENTS
AND TOOLS FOR LABORATORY USE

Journal Number:

24/2024

Journal Date:

14/06/2024 00:00:00

Applicant Detail

Sl. No.	APPLICANT NAME	APPLICANT ADDRESS
1	Bharati Vidyapeeth (Deemed to be University) Dental College & Hospital	Sector 7, CBD Belapur, Navi Mumbai 400614
2	Dr. Kirti Buva	Bharati Vidyapeeth (Deemed to be University) Dental College & Hospital, Sector 7, CBD Belapur, Navi Mumbai 400614
3	Dr. Ajinkya Deshmukh	Bharati Vidyapeeth (Deemed to be University) Dental College & Hospital, Sector 7, CBD Belapur, Navi Mumbai 400614

**Bharati Vidyapeeth Deemed to be University
Dental College and Hospital, Navi Mumbai**

Design Application Details



Design Number: 387705-001

Filing Date: 05/06/2023 20:41:28

Article Name: **DENTAL CARIES SCANNER**

Class: 24-01-APPARTUS EQUIPMENT FOR DOCTORS, HOSPITALS AND LABORATORIES

Journal Number: 32/2023

Journal Date: 11/08/2023 00:00:00

Applicant Detail

Sl. No.	APPLICANT NAME	APPLICANT ADDRESS
1	Bharati Vidyapeeth (Deemed To Be University) Dental College And Hospital, Navi Mumbai	Department of Orthodontics and Dentofacial Orthopedics Bharati Vidyapeeth (Deemed to be University)
2	Dr. Harsh Ashok Mishra	Associate Professor, Department Of Orthodontics And Dentofacial Orthopedics Bharati Vidyapeeth (Deemed To Be University) Dental College And Hospital Navi Mumbai
3	Dr. Hitesh Sawant	A-303, Balaji Niwas, A Wing, 3rd Floor, Plot No 27, Sector 8, Kamothe, Dist: Raigad, Tah: Panvel, Kamothe, Navi Mumbai: 410 209
4	Dr. Nilesa Kadam	Add: Plot No. 83,Hill View Row Housing Society, Sector-8A, Artist Village, CBD, Navi Mumbai. 400614
5	Dr. Parag Gangurde	2303 Bliss Bldg Citi Of Joy ACC Road Mulund West Mumbai 400080
6	Dr. Shashank Gaikwad	Professor Dept Of Orthodontics Bharatividyapeeth Deemed To Be Dental College And Hospital Navi Mumbai Maharashtra
7	Dr. Waseem Khan	04,Deu Bonanza Paradise, Sec 35G, CISF Road, Kharghar
8	Dr. Nityanand Shankar Shetty	A-903, Runwal Heights, Opposite Nirmal Lifestyle, LBS Marg, Mulund-West, Mumbai-400080
9	Dr.Alok Ranjan	Elite Residency, Sector 35e, Kharghar, Navi Mumbai
10	Dr. Sheetal Hitesh Sawant	A-303, Balaji Niwas, A Wing, 3rd Floor, Plot No 27, Sector 8, Kamothe, Dist: Raigad, Tah: Panvel, Kamothe, Navi Mumbai: 410 209

**Bharati Vidyapeeth Deemed to be University
Dental College and Hospital, Navi Mumbai**

Design Application Details



Design Number: 387945-001

Filing Date: 08/06/2023 19:15:40

Article Name: **ZYGOMATIC IMPLANT
DRIVER**

Class: 24-02-MEDICAL INSTRUMENTS,
INSTRUMENTS AND TOOLS FOR
LABORATORY USE

Journal Number: 36/2023

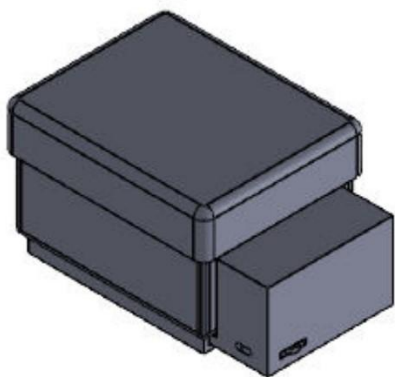
Journal Date: 08/09/2023 00:00:00

Applicant Detail

Sl. No.	APPLICANT NAME	APPLICANT ADDRESS
1	Dr. Nitin Ahuja	The Zygoma Clinic, 402, Conwood Paragon, Goregaon, Mumbai, Maharashtra 400063
2	Dr. Viraj Kharkar	The Zygoma Clinic, 402, Conwood Paragon, Goregaon, Mumbai, Maharashtra

**Bharati Vidyapeeth Deemed to be University
Dental College and Hospital, Navi Mumbai**

Design Application Details



Design Number:

388118-001

Filing Date:

10/06/2023 17:31:06

Article Name:

PORTABLE UV STERILIZATION DEVICE FOR ENDO HAND FILES

Class:

24-01-APPARTUS EQUIPMENT FOR DOCTORS, HOSPITALS AND LABORATORIES

Journal Number:

34/2023

Journal Date:

25/08/2023 00:00:00

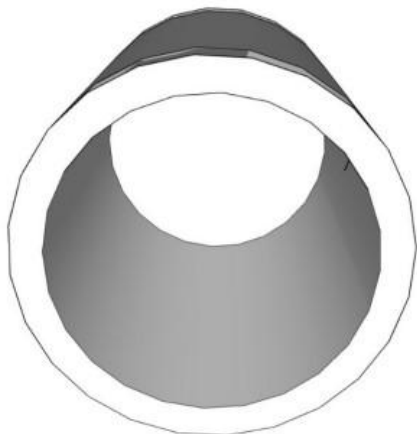
Journal Date:

Applicant Detail

Sl. No.	APPLICANT NAME	APPLICANT ADDRESS
1	Bharati Vidyapeeth (Deemed to be University) dental college and Hospital, Navi Mumbai	Bharati Vidyapeeth (Deemed to be University) dental college and Hospital, Navi Mumbai. Sector 7, CBD Belapur, Navi Mumbai-400614
2	Dr. Tanvi Saraf	16-A Kalanagar, Trimurti building, Ground floor, Bandra East, Mumbai-400051
3	Dr. Ashish Jain	Flat 3601 Ng grand plaza sec11 Ghansoli Navi Mumbai 400701
4	Dr. Ashwin Jawdekar	B-501, Jasmine Towers, Vasant Vihar, Thane west, Mumbai-400610
5	Dr. Pratibha Kavle	1202, Christina CHS, Shree Nagar Estate, Off M G Road, Goregaon (West), Mumbai- 400104
6	Dr. Minakshi Bhattacharjee	G703, Haware Splendor, Sector 20, Kharghar, Navi Mumbai-410210
7	Dr. Shashank Gaikwad	33/902 Nri complex palm beach road Seawoods estate Nerul West400706
8	Dr. Uttam Shetty	103, Pioneer heights,3rd Road, khar West, Mumbai 400052
9	Dr. Amit Patil	B/503, Om Harmony, sector 10, Kharghar 410210
10	Dr. Prasad Mhaske	301, Payal CHS plot no 6 sector 14 Koparkhairane Navi Mumbai.

**Bharati Vidyapeeth Deemed to be University
Dental College and Hospital, Navi Mumbai**

Design Application Details



Design Number: 391126-001

Filing Date: 25/07/2023 21:26:23

Article Name: **CIGARETTE ASHTRAY**

Class: 27-03-ASHTRAYS

Journal Number: 41/2023

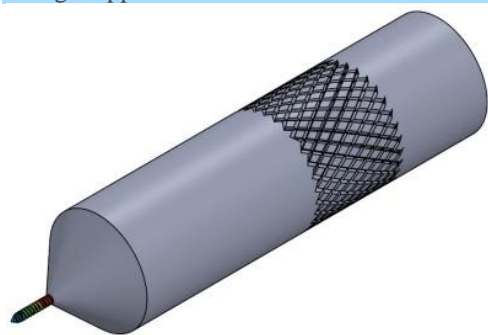
Journal Date: 13/10/2023 00:00:00

Applicant Detail

Sl. No.	APPLICANT NAME	APPLICANT ADDRESS
1	Bharati Vidyapeeth (Deemed to be University) Dental College & Hospital	Sector 7, CBD Belapur, Navi Mumbai 400614
2	Dr. Minakshi Bhattacharjee	Flat no- G 703, Haware Splendor, Plot no 52-56, Sector 20, Kharghar, Navi Mumbai-410210
3	Dr. Sandhya Meethal	Lakeside M 105, Palava Phase II LSG Kalyan Thane Maharashtra-421204
4	Dr. Suyog Savant	B 14 Amba Sadan Jerbai Wadia Road Bhoiwada Parel Mumbai 400012
5	Dr. Saudamini More	32, Deepak Society, 7th floor, Talaopali, Dr Moose road, Thane west. 400601
6	Dr. Tejal Patil	B/ 1401,Sunstone hubtown, opp MiG cricket club Bandra East 400051
7	Dr. Deepak Kolte	Shree towers, 502, plot no16, sector 20, Shilp chowk Kharghar 410210, Navi Mumbai
8	Dr. Sarita Srivastav	G 502 Rail Vihar sector 4 Kharghar, Raigarh Maharashtra, 410210
9	Mrs. Ashwini Panchmalkar	503, Arpan CHS., Near Apeejay School, Sector – 21, Plot No – 39, Kharghar, Raigarh (MH), Maharastra - 410210
10	Dr. Sujata Pinge	Om Alankar Suvarna nagari, Bibwewadi Pune 37

**Bharati Vidyapeeth Deemed to be University
Dental College and Hospital, Navi Mumbai**

Design Application Details



Design Number: 391447-001

Filing Date: 28/07/2023 00:00:00

Article Name: **MICRO OSTEOPERFORATOR**

Class: 24-02-MEDICAL INSTRUMENTS, INSTRUMENTS
AND TOOLS FOR LABORATORY USE

Journal Number: 11/2024

Journal Date: 15/03/2024 00:00:00

Applicant Detail

Sl. No.	APPLICANT NAME	APPLICANT ADDRESS
1	Bharati Vidyapeeth (Deemed to be University) Dental College & Hospital	Sector 7, CBD Belapur, Navi Mumbai 400614
2	Dr. Parag Vishnu Gangurde	2303/04, Bliss, City of Joy CHS, JSD Road Mulund (W) Mumbai 400080
3	Dr. Shashank Sharad Gaikwad	33/902, NRI Complex, Palm Beach Rd, Seawoods Estate, Nerul (W), Navi Mumbai 400706
4	Dr. Harsh Ashok Mishra	B402, Rajal Classic, Janam Apartment CHS Ltd., Off Western Express Highway, Majas Village, Jogeshwari(E), Mumbai 400060
5	Dr. Nityanand Shankar Shetty	A-903, Runwal Heights, Opposite Nirmal Lifestyle, LBS Marg, Mulund(W), Mumbai, 400080
6	Dr. Arti Parag Gangurde	2303/04, Bliss, City of Joy CHS, JSD Road Mulund (W) Mumbai, 400080
7	Dr. Waseem Khan	Near Jafarseth Bungalow, Firdos colony, Akola, 444001
8	Dr. Alok Ranjan Singh	Shiv Colony Fazalganj, Sasaram Dist-Rohtash, Bihar, 821115
9	Dr. Hitesh Ramdas Sawant	A-303, Balaji Niwas, A Wing, Third Floor, Plot No.27, Sector-8, Dist-Raigad, Tah-Panvel, Kamothe, Navi Mumbai, 410209
10	Dr. Atreyee Mitra	343, Bidisha Housing Co-operative Society Ltd., City Centre, Durgapur, West Bengal, 713216
11	Dr. Vaishali Pramodkumar Mall	Flat 1E-1304, Lavender CHS, Indiabulls Greens, Panvel – 410206.

**Bharati Vidyapeeth Deemed to be University
Dental College and Hospital, Navi Mumbai**

Design Application Details



Design Number:
394659-001
Filing Date:
08/09/2023 15:58:44
Article Name:
PERIOIMPLANT PROBE SLEEVE
Class:
24-02-MEDICAL INSTRUMENTS, INSTRUMENTS AND TOOLS FOR LABORATORY
USE
Journal Number:
44/2023
Journal Date:
03/11/2023 00:00:00
Applicant Detail

Applicant Detail

Sl. No.	APPLICANT NAME	APPLICANT ADDRESS
1	Bharati Vidyapeeth (Deemed to be University) Dental College & Hospital	Sector 7, CBD Belapur, Navi Mumbai 400614
2	Dr Nilesh V Joshi	Bharati Vidyapeeth (Deemed to be University) Dental College & Hospital, Sector 7, CBD Belapur, Navi Mumbai 400614
3	Dr Vinayak Thorat	Bharati Vidyapeeth (Deemed to be University) Dental College & Hospital, Sector 7, CBD Belapur, Navi Mumbai 400614
4	Dr Prajakta Rao	Bharati Vidyapeeth (Deemed to be University) Dental College & Hospital, Sector 7, CBD Belapur, Navi Mumbai 400614
5	Dr Prakash Talreja	Bharati Vidyapeeth (Deemed to be University) Dental College & Hospital, Sector 7, CBD Belapur, Navi Mumbai 400614
6	Dr Anupa Shetty	Bharati Vidyapeeth (Deemed to be University) Dental College & Hospital, Sector 7, CBD Belapur, Navi Mumbai 400614

**Bharati Vidyapeeth Deemed to be University
Dental College and Hospital, Navi Mumbai**

Design Application Details



Design Number: 396344-001

Filing Date: 29/09/2023 17:56:19

Article Name: **GAUGE FOR DENTAL BRACKET POSITIONING**

Class: 24-01-APPARTUS EQUIPMENT FOR DOCTORS, HOSPITALS AND LABORATORIES

Journal Number: 45/2023

Journal Date: 10/11/2023 00:00:00

Applicant Detail

Sl. No.	APPLICANT NAME	APPLICANT ADDRESS
1	Bharati Vidyapeeth (Deemed to Be University) Dental College and Hospital, Navi Mumbai	Bharati Vidyapeeth (Deemed to Be University) Dental College and Hospital, Navi Mumbai,400614
2	Dr.Harsh Ashok Mishra	Associate Professor, Departement of Orthodontics and Dentofacial Orthopedics Bharti Vidhyapeeth (Deemed to be University) Dental College and Hospital Navi Mumbai,400614
3	Dr.Waseem Khan	504, Deu Bonanza Paradise,Sec 34 G,CISF Road,Kharghr,410210
4	Dr.Parag Gangurde	2303 Bliss bldg. Citi of Joy ACC Eoad Mulund Weat Mumbai,400080
5	Dr.V.Sreenivasan	Bharati Vidyapeeth (Deemed to Be University) Dental College And Hospital, Navi Mumbai,400614
6	Dr. Shashank Gaikwad	Professor, Dept of Orthodontics, Bharati Vidyapeeth Deemed to be Dental College and hospital Navi Mumbai Maharashtra 400614
7	Dr. Hitesh Sawant	A-303, Balaji Niwas, A wing, 3rd floor, Plot no 27, Sector 8, Kamothe, Dist: Raigad, Tah: Panvel, Kamothe, Navi Mumbai: 410 209
8	Dr. Viraj Kharkar	Bharati Vidyapeeth (Deemed to be University) Dental College & Hospital, Navi Mumbai 400614
9	Dr. Sheetal Sawant	A-303, Balaji Niwas, A wing, 3rd floor, Plot no 27, Sector 8, Kamothe, Dist: Raigad, Tah: Panvel, Kamothe, Navi Mumbai. 410 209
10	Dr. Nilesa Kadam	Plot no. 83, Hill view row housing society, Sector-8A, Artist Village, CBD , Navi Mumbai. 400614

**Bharati Vidyapeeth Deemed to be University
Dental College and Hospital, Navi Mumbai**

Design Application Details



Design Number: 405289-001

Filing Date: 20/01/2024 18:55:03

Article Name: **LED LIGHT DEVICE FOR DENTAL PLAQUE DETECTION**

Class: 24-01-APPARTUS EQUIPMENT FOR DOCTORS, HOSPITALS AND LABORATORIES

Journal Number: 09/2024

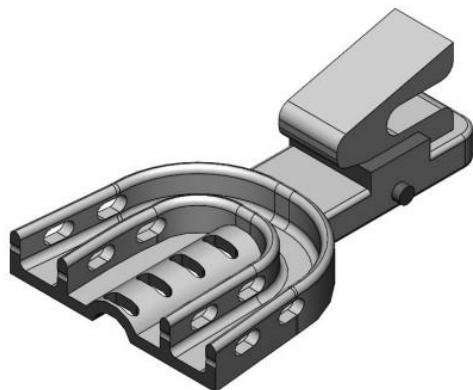
Journal Date: 01/03/2024 00:00:00

Applicant Detail

Sl. No.	APPLICANT NAME	APPLICANT ADDRESS
1	Bharati Vidyapeeth (Deemed to be University) Dental College & Hospital	Sector 7, CBD Belapur, Navi Mumbai 400614.
2	Dr Nilesh V Joshi	103 Ascot building, Raheja Gardens, Opp tiptop plaza, LBS road, Thane west - 400604
3	Akankshi Bhattacharjee	G- 305, Haware Splendor CHS, Plot 52-56, Sector 20, Kharghar, Raigad (MH), Maharashtra - 410210
4	Murtaza Shapurwala	15/9, MIG Colony, Vinoba Bhawe Nagar, Kurla (West), Mumbai- 400070
5	Minakshi Bhattacharjee	G- 703, Haware Splendor CHS, Plot 52-56, Sector 20, Kharghar, Raigad (MH), Maharashtra – 410210.
6	Dr Prajakta Rao	A1/1202, Hyde Park Regency, Chitalsar Manpada, Thane West - 400610
7	Dr Mridula Joshi	103 Ascot building, Raheja Gardens, Opp tiptop plaza, LBS road, Thane west - 400604
8	Dr Rahul Rao	A1/1202, Hyde Park Regency, Chitalsar Manpada, Thane West - 400610.
9	Dr Anupa Shetty	#B902, 'Yashaskaram Chs', B wing, Sector 27, Owe Kharghar, Kharghar, Navi Mumbai, Maharashtra 410210.
10	Dr Mirella Vaz	203, Chandra Lok, N.P. Thakkar Cross Road, Vile- Parle (East). Mumbai - 400057
11	Dr Sarita Shrivastava	G502 Rail Vihar sector 4 Kharghar, Raigad (MH) Maharashtra – 410210
12	Achintya Hrishikesh	E/619, Maruti Paradise, Sector-15, CBD Belapur, Maharashtra -400614

**Bharati Vidyapeeth Deemed to be University
Dental College and Hospital, Navi Mumbai**

Design Application Details



Design Number: 407343-001

Filing Date: 13/02/2024 14:01:00

Article Name: **ADJUSTABLE AND CONVERTIBLE DENTAL IMPRESSION TRAY**

Class: 24-01-APPARTUS EQUIPMENT FOR DOCTORS, HOSPITALS AND LABORATORIES

Journal Number: 18/2024

Applicant Detail

Sl. No.	APPLICANT NAME	APPLICANT ADDRESS
1	Dr. SANDEEP JETHE	Professor & Head of department, Department of Orthodontics D.Y. Patil Dental School, Pune-412105, Maharashtra, India.
2	Dr. VARSHA MERANI	Associate Professor, Department of Orthodontics, D.Y.Patil Dental School, Pune-412105, Maharashtra, India.
3	Dr. SHAILESH DONGRE	Associate Professor, Department of Orthodontics, D.Y.Patil Dental School, Pune-412105, Maharashtra, India.
4	Dr. ARUN MHASKE	Assistant Professor, Department of Orthodontics, D.Y.Patil Dental School, Pune-412105, Maharashtra, India.
5	Dr. SUYOG SHENDAGE	Assistant Professor, Department of Orthodontics, D.Y.Patil Dental School, Pune-412105, Maharashtra, India.
6	Dr. ABDULREHMAN IRFAN FOUJDAR	Assistant Professor, Department of Orthodontics, D.Y.Patil Dental School, Pune-412105, Maharashtra, India.
7	Dr. WASEEM KHAN	Associate Professor, Department of Orthodontics, Bharti Vidyapeeth Dental College & Hospital, Navi Mumbai, Maharashtra, India.
8	Dr. CHAITALI REKHATE	Private Practice New Era Housing Society, Nakoda Pratab Building Near Patel petrol pump, Bibwewadi-kondwa road, Pune, Maharashtra, India.

**Bharati Vidyapeeth Deemed to be University
Dental College and Hospital, Navi Mumbai**

Design Application Details



Design Number: 412016-001

Filing Date: 30/03/2024 01:02:10

Article Name: **PROTECTIVE STABILIZATION APPARATUS WITH ATTACHED VITALS MONITOR FOR PEDIATRIC DENTAL PATIENT**

Class: 24-01-APPARTUS EQUIPMENT FOR DOCTORS, HOSPITALS AND LABORATORIES

Journal Number: 20/2024

Journal Date: 17/05/2024 00:00:00

Applicant Detail

Sl. No.	APPLICANT NAME	APPLICANT ADDRESS
1	Dr.TANVI SARAF	16-A KALANAGAR, TRIMURTI, BANDRA EAST, MUMBAI
2	DR.RAHUL HEGDE	1101-B Rajkamal heights, Rajkamal Lane, Parel, Mumbai -400012.

**Bharati Vidyapeeth Deemed to be University
Dental College and Hospital, Navi Mumbai**

Design Application Details



Design Number: 412872-001

Filing Date: 07/04/2024 21:32:04

Article Name: **HEAD RESTRAINT APPARATUS
FOR PEDIATRIC DENTAL PATIENT WITH AUDIO
ANALGESIA OUTLET**

Class: 24-01-APPARTUS EQUIPMENT FOR
DOCTORS, HOSPITALS AND LABORATORIES

Journal Number: 26/2024

Journal Date: 28/06/2024 00:00:00

Applicant Detail

Sl. No.	APPLICANT NAME	APPLICANT ADDRESS
1	DR.TANVI SARAF	16-A KALANAGAR, TRIMURTI, BANDRA EAST, MUMBAI
2	DR.RAHUL HEGDE	1101-B RAJKAMAL HEIGHTS, RAJKAMAL LANE,LOWER PAREL,MUMBAI

**Bharati Vidyapeeth Deemed to be University
Dental College and Hospital, Navi Mumbai**

Design Application Details



Design Number: 390438-001

Filing Date: 17/07/2023 10:04:00

Article Name: **Air rotor with protective latch**

Class: 24-02-MEDICAL INSTRUMENTS,
INSTRUMENTS AND TOOLS FOR
LABORATORY USE

Journal Number: 36/2023

Journal Date: 08/09/2023 00:00:00

Applicant Detail

Sl. No.	APPLICANT NAME	APPLICANT ADDRESS
1	Dr. Viral Pravin Maru	Associate Professor, Pediatric Dentistry, Government Dental College and Hospital, Mumbai, Maharashtra
2	Dr. Sangala Bhavani Nagendra	Associate Professor, Oral pathology n microbiology, Bharati vidyapeeth Dental College Hospital, Navi Mumbai, Maharashtra

**Bharati Vidyapeeth Deemed to be University
Dental College and Hospital, Navi Mumbai**

Design Registration

Sr.No.	Name Of Staff	Title Of Registered Design	Date Of Registration	Registration No.
1.	Dr. Harjit Singh Kalsi Dr. Viraj Kharkar Mr. Murtaza Shapurwala Dr. Deepak Kolte Dr. Tejal Patil	DENTAL FORCEPS	15/09/2022	370892-001
2.	Dr.Harjit Singh Kalsi Dr. Viraj Kharkar Mr. Murtaza Shapurwala Dr. Deepak Kolte Dr. Tejal Patil	SYNRINGE	15/09/2022	370891-001
3.	Dr. Anubhava Jaiminee Dr. Mahesh Ghadage Dr. Sumit Bedia Dr.Mridula Joshi Dr. Jui Kandekar Dr.Richa Gupta	BLOW TORCH	20/02/2023	379670-001
4.	Dr.Viraj Kharkar	PLATE FOR LEFT MANDIBULAR ANGLE FRACTURE	09/03/2023	381157-002
5.	Dr. Viraj Kharkar	PLATE FOR RIGHT MANDIBULAR ANGLE FRACTURE	09/03/2023	381157-001
6.	Dr. Tanvi Saraf Dr.Saudamini More Dr. Farheen Tafti Dr. Prasad Mhaske Dr. Vivek Sharma Dr.Sumeet Agarwal Dr. Suyog Savant Dr. Rohit Thorat Dr. Uttam Shetty	ADJUSTABLE FINGER GRIP FOR ENDODONTIC HAND FILES	04/05/2023	385589-001
7.	Dr. Kirti Buva	DENTAL WAX CARVER	30/05/2023	387320-001
8.	Dr. Harsh Mishra Dr. Hitesh Sawant Dr. Nilesha Kadam Dr. Parag Gangurde Dr. Shashank Gaikwad	DENTAL CARIES SCANNER	05/06/2023	387705-001

**Bharati Vidyapeeth Deemed to be University
Dental College and Hospital, Navi Mumbai**

	Dr. Waseem Khan Dr. Nityanand Shetty Dr. Alok Ranjan Dr. Sheetal Sawant			
9.	Dr. Viraj Kharkar	ZYGOMATIC IMPLANT DRIVER	08/06/2023	387945-001
10.	Dr. Tanvi Saraf Dr. Ashish Jain Dr. Ashwin Jawdekar Dr. Pratibha Kavle Dr. Minakshi Bhattacharjee Dr. Shashank Gaikwad Dr. Uttam Shetty Dr. Amit Patil Dr. Prasad Mhaske	PORTABLE UV STERILIZATION DEVICE FOR ENDO HAND FILES	10/06/2023	388118-001
11.	Dr. Minakshi Bhattacharjee Dr. Sandhya Meethal Dr. Suyog Savant Dr. Saudamini More Dr. Tejal Patil Dr. Deepak Kolte Dr. Sarita Srivastav Mrs. Ashwini Panchmalkar Dr. Sujata Pinge	CIGARETTE ASHTRAY	25/07/2023	391126-001
12.	Dr. Parag Gangurde Dr. Shashank Gaikwad Dr. Harsh Mishra Dr. Nityanand Shetty Dr. Waseem Khan Dr. Alok Ranjan Singh Dr. Hitesh Sawant Dr. Atreyee Mitra Dr. Vaishali Mall	MICRO OSTEOPERFORATOR	28/07/2023	391447-001
13.	Dr. Dipooja Patil Dr. Mahesh Ghadage Dr. Aarti S. Bedia Dr. Sumit Bedia	SURFACE COATING P-TIP SURFACE COATING P-TIPS	07/9/2023	394581-001
14.	Dr. Nilesh V Joshi Dr. Vinayak Thorat Dr. Prajakta Rao Dr. Prakash Talreja Dr. Anupa Shetty	PERIOIMPLANT PROBE SLEEVE	08/09/2023	394659-001
15.	Dr. Harsh Mishra Dr. Waseem Khan Dr. Parag Gangurde	GAUGE FOR DENTAL BRACKET POSITIONING	29/09/2023	396344-001

**Bharati Vidyapeeth Deemed to be University
Dental College and Hospital, Navi Mumbai**

	Dr.V.Sreenivasan Dr. Shashank Gaikwad Dr. Hitesh Sawant Dr. Viraj Kharkar Dr. Sheetal Sawant Dr. Nilesha Kadam			
16.	Dr Nilesh V Joshi Ms.Akankshi Bhattacharjee Ms.Murtaza Shapurwala Dr.Minakshi Bhattacharjee Dr. Prajakta Rao Dr. Mridula Joshi Dr. Rahul Rao Dr. Anupa Shetty Dr .Mirella Vaz Dr. Sarita Shrivastava	LED LIGHT DEVICE FOR DENTAL PLAQUE DETECTION	20/01/2024	405289-001
17.	Dr. Waseem Khan and others	ADJUSTABLE AND CONVERTIBLE DENTAL IMPRESSION TRAY	13/02/2024	407343-001
18.	Dr.Tanvi Saraf	PROTECTIVE STABILIZATION APPARATUS WITH ATTACHED VITALS MONITOR FOR PEDIATRIC DENTAL PATIENT	30/03/2024	412016-001
19.	Dr.Tanvi Saraf	HEAD RESTRAINT APPARATUS FOR PEDIATRIC DENTAL PATIENT WITH AUDIO ANALGESIA OUTLET	07/04/2024	412872-001
20	Dr.Bhavani Baddi and others	AIR ROTOR WITH PROTECTIVE LATCH	04/9/2023	390438-001
UNITED KINGDOM REGISTRATION				
21.	Dr Parag Gangurde, Dr. Ashima Jakhar, Dr Alok Ranjan, Dr Waseem Khan, Vaishali Mall,	Smart Curette	04/5/2023	6278127

**Bharati Vidyapeeth Deemed to be University
Dental College and Hospital, Navi Mumbai**

GRANTED UTILITY PATENTS

Sr.No.	Name Of Staff	Title Of Utility	Date Of Registration	Patent no.
1.	Dr.Prasad Mhaske and others	INTELLIGENT TOOTHPASTE DISPENSER	15/05/2021	532860
2.	Dr.Pradip Dave	A COMPRESSIBLE MOTOR AND PESTLE	4/10/2022	429048

PUBLISHED UTILITY PATENTS

	Name Of Staff	Title Of Patent	Date Of Publication
1.	Dr.Ashwini Pachmahalkar and others	USING DEEP LEARNING TO INCREASE EFFICIENCY IN ELECTRONIC HEALTH RECORD (EHR) PRACTICES	05/05/2023
2.	Dr. Tanvi Saraf Dr.Ashish Jain Dr. Ashwin Jawdekar Dr. Pratibha Kavle Dr. Minakshi Bhattacharjee Dr. Shashank Gaikwad Dr. Uttam Shetty Dr. Amit Patil Dr. Prasad Mhaske	PORTABLE UV STERILIZATION DEVICE FOR ENDO HAND FILES	15/12/2023
3.	Dr.Minal Kshirsagar and others	A MACHINE LEARNING PERSPECTIVE FOR ADVANCED DIAGNOSTIC APPROACHES FOR EARLY DETECTION OF PERIODONTAL DISEASE	10/05/2024

**Bharati Vidyapeeth Deemed to be University
Dental College and Hospital, Navi Mumbai**

LIST OF GRANTED COPYRIGHT

Sr.No.	Name Of Staff	Title Of Copyright	Date Of Registration	Registration No.
1.	Dr.KirtiBuva And others	QUICK REFERENCE FOR STUDY OF DEVELOPMENT OF TOOTH	30/05/2023	L-122555/2023
2.	Dr.Tanvi Saraf And others	WEEKLY SUGAR EXPOSURE INDEX	21/6/2023	L-126913/2023
3.	Dr. Pratibha Kavle , Dr. Bhavani Baddi and others	SIMULATION IN DENTISTRY	30/6/2023	L-116541/2022
4.	Dr.VirajKharkar and others	HALLI'S FORCEP INTERCHANGE TECHNIQUE (H-FIT) FOR REMOVAL OF SELECTIVE IMPACTED MANDIBULAR THIRD MOLARS	25/8/2023	L-132423/2023
5.	Dr.Tanvi Saraf	C.A.R.S. (COLOURING ART RATING SCALE) FOR CHILD'S FOOD PREFERENCES.	26/10/2023	A-148501/2023
6.	Dr.VirajKharkar And others	EDGE TO EDGE SUTURING OF RELEASING VERTICAL LIMB IN INTRAORAL SUTURING.	13/02/2024	L-143418/2024
7.	Dr.Parag Gangurde and others	ASSESSMENT OF EFFECTIVENESS OF ZINGIBER OFFICINALE (GINGER) AS ANTIFUNGAL IN COMLETELY EDENTULOUS PATIENTS	21/03/2024	L-145537/2024
8.	Dr.Tanvi Saraf	OBJECTIVE STRUCTURED PRACTICAL EXAMINATION (OSPE) FOR STAINLESS STEEL CROWN PREPARATION FOR PEDIATRIC DENTISTRY.	20/5/2024	L-147895/2024

**Bharati Vidyapeeth Deemed to be University
Dental College and Hospital, Navi Mumbai**

9.	Dr.Tanvi Saraf and others	A COMPREHENSIVE CHECKLIST FOR THE PEDAGOGY ASSIGNMENTS IN THE CURRICULUM OF HEALTHCARE RESIDENTS-A VISUAL AID FOR ASSESSORS WITH A MARKING SYSTEM FOR ENHANCED TEACHING SKILLS.	27/05/2024	L-148186/2024
10.	Dr.VirajKharkar and others	ESSENTIAL CHECKLIST FOR INTERPRETING INTRA-ORAL PERIAPICAL (IOPA) RADIOGRAPH FOR IMPACTED MANDIBULAR THIRD MOLAR (WISDOM) TOOTH AT SCREENING LEVEL.	30/5/2024	L-148589/2024
11.	Dr.SnehaMasne And others	ORAL MUCOUS MEMBRANE- A QUICK TOUR	19/6/2024	L-149279/2024